



285 Industrial Drive  
Moscow, TN 38057  
Ph: 888-737-6548  
Fax: 901-877-1388  
Email: sales@resolite.com

## Technical Data

### FRP Gutter & Downspout System

#### FRP GUTTER & DOWNSPOUT SYSTEM FOR USE IN CORROSIVE ATMOSPHERES

Resolite's FRP gutter and downspout system was developed specifically for FRP-clad buildings in environments which can destroy painted metal and vinyl systems. While rain washes corrosive materials off wall and roof panels, significant amounts of these materials may actually accumulate in gutter sections. Gutter and downspout system components have to withstand even worse corrosive conditions than ordinary FRP panels.

#### STRENGTH WHERE IT'S NEEDED MOST

Gutter and downspout systems are subjected to all of the ravishes of climate and weather. They receive maximum UV exposure and endless thermal shocking. Their position at the roof edge makes them inherently vulnerable to high winds and static loading from accumulations of snow and ice. Resolite's gutter and downspout system are manufactured from pultruded FRP shapes incorporating excellent section properties.

#### PERFORMANCE AND AESTHETICS

The Resolite gutter and downspout system looks as good as it performs. It is available in three standard Resolite FRP opaque colors: Stone White, Gray, and Beige. Designers may use the system for vertical or horizontal accent, to complement roof and wall colors, or simply blend the gutter and downspout system into the facade. Resolite's FRP system is the ideal choice for a gutter and downspout system in new construction or for retrofitting existing structures, including buildings with protected metal wall and roof panels.

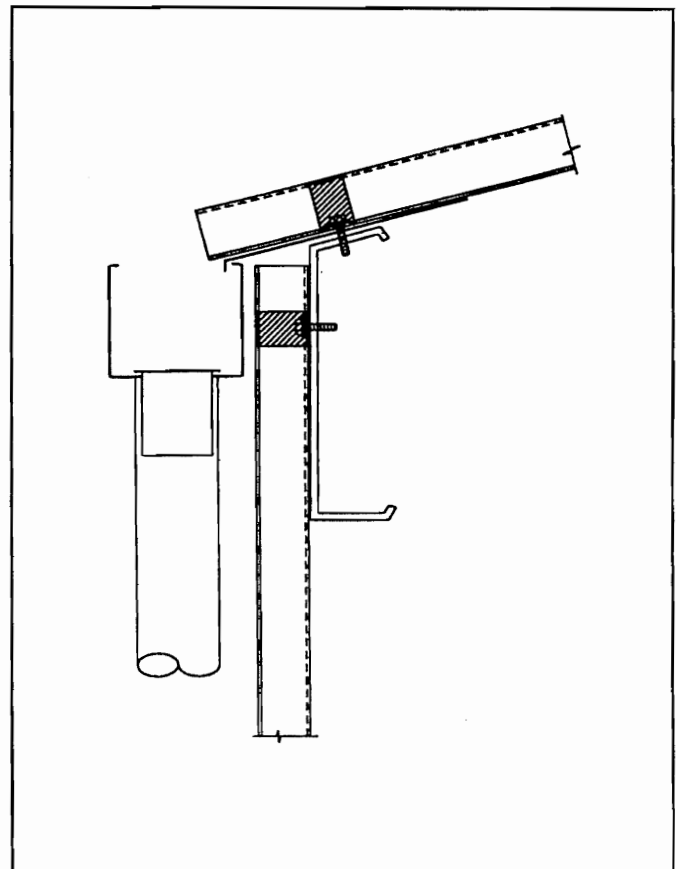
#### QUICK AND EASY INSTALLATION

Specifically designed with versatility in mind, this gutter will suit most field conditions. The continuous flange mounts under the roof panel thus eliminating the need for separate eave flashing. Connectors, inserts, and adapters conveniently fit snugly together. Downspouts can be positioned between gutter sections or anywhere along the gutter length. The system includes 45° elbows and left and right endcaps. Components are secured to each other with a two-part adhesive and screwed in place with self-tapping stainless steel screws.

#### STANDARD FEATURES

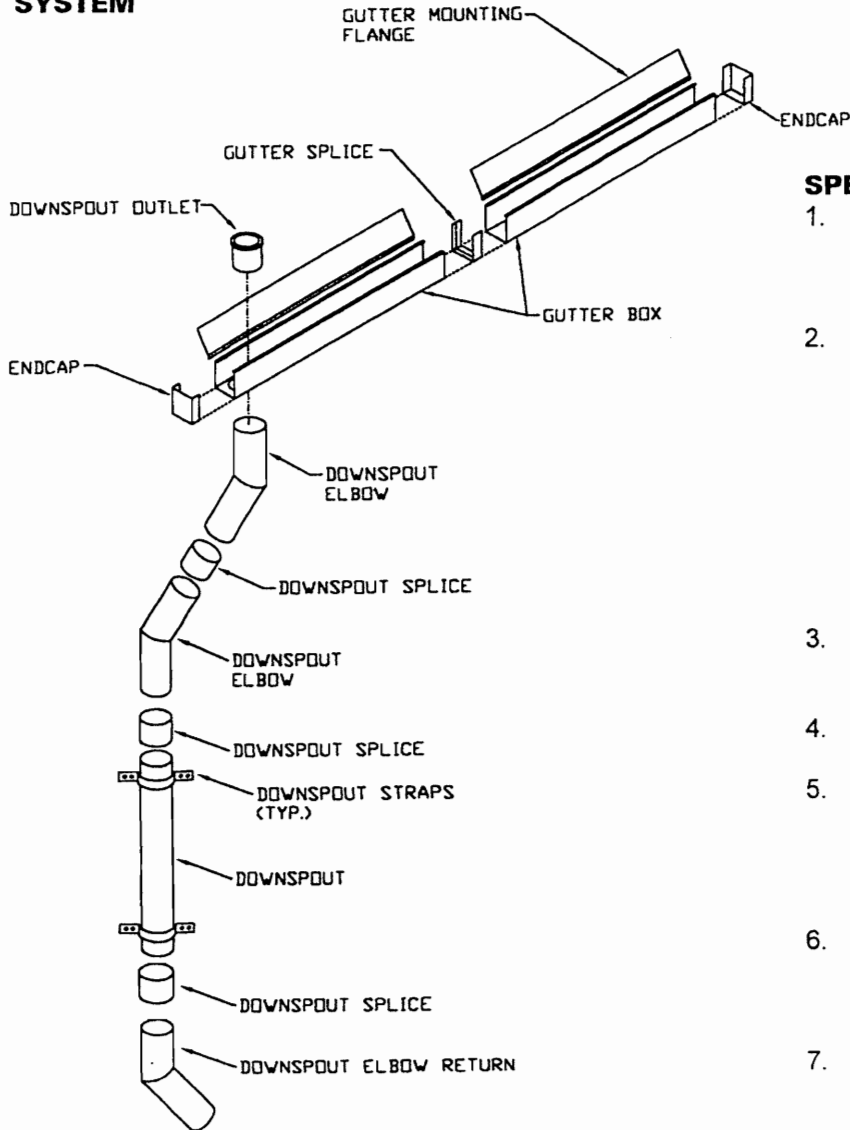
- Construction High quality polyester resin with UV stabilizers, continuous unidirectional fiberglass reinforcement, C/W Barrier
- Material Pultruded for extra strength
- Lengths Gutter and downspout sections - standard 20' lengths
- Color Stone White, Gray or Beige
- Connectors Furnished to match material and color

#### GUTTER & DOWNSPOUT SYSTEM



# FRP Gutter & Downspout System (continued)

## GUTTER & DOWNSPOUT SYSTEM



### SPECIFICATION

1. The gutter and downspout system shall be fiberglass reinforced polymer by Resolite, a United Dominion Company, Zelenople, PA.
2. Glass reinforcement for the gutter and downspout system shall include unidirectional filaments to provide high tensile and flexural properties and overall section stiffness. In addition, continuous strand mat shall be included to contribute to the transverse properties of the gutter and downspout sections. Glass content shall be approximately 40% by weight.
3. Resin shall be high quality, light stabilized polyester modified with acrylic monomer.
4. Finish shall be smooth.
5. Color shall be \_\_\_\_\_ (Stone White, Gray or Beige) and coloring shall be achieved through the use of pigments impregnated through the entire profile.
6. Configuration of the gutter and the downspout shall be as shown on the drawings. Standard lengths are 20'.
7. Gutter and downspout system shall be installed in accordance with the manufacturer's recommendations.

The information contained herein is not intended to be used for design purposes. Resolite reserves the right to change or withdraw such information, or the designs and details of the products upon which it is based, either wholly or in any portion thereof, without further notice. Specific information required for design and detailing of specific jobs is available upon request from Resolite Customer Service.

Color Notice - Polyester resin products are subject to discoloration when exposed to atmosphere and environmental conditions. Accordingly, seller assumes no liability and expressly disclaims any responsibility for any loss or damage, direct, indirect, or consequential; or for any change of color for any polyester resin product.